

INSTALLATION INSTRUCTIONS

FIRE RATED B, C, D & F FRAMES

1: CHECK DELIVERY

Check contents of the shipment

- A. Door leaf & frame + 2 mounting extensions.
- B. Installation kit, 1 no. per door set.

2: CHECK FIXINGS

Contents of kitbag

- A. 18 no. 7.5 x 82mm Torx Head screws, suitable for masonry, steel or timber structures (see fixing pack for drilling sizes). 20 no. screws for double doors.
- B. 18 no. plastic caps, clear 20mm diameter for screw holes in frame. 20 no. for double doors.
- C. 1 no. Torx Head driver bit.
- D. 1 no. installation instructions sheet.
- E. Drill bits.
- F. Allen keys.
- G. Mastic sealant (supplied sealant not to be used on fire rated doors).

3: CHECK TOOLS

Necessary for installation

- A. Spirit level.
- B. Screw bit driver (for Torx Head bit).
- C. 110v drill.
- D. 12mm Allen key.
- E. Sealant & application gun to bed threshold.
- F. Fire rated sealant. Sealant must have independent fire test evidence suitable for sealing thin gauge steel (1.5mm) to wall type, and must be fire rated equal to or more than the door. See overleaf for further information.

4: CHECK OPENING

Check the structural opening size

1. If the door is a modular size, eg 900 x 2100mm, the structural opening width should be 900mm (tolerance of +15/-5mm), and the structural opening height should be 2100mm (tolerance +/-5mm).
2. If the structural opening size is larger than the indicated maximum width or height, the wall must be built up with the same material as the existing wall to preserve its fire rating (where applicable).

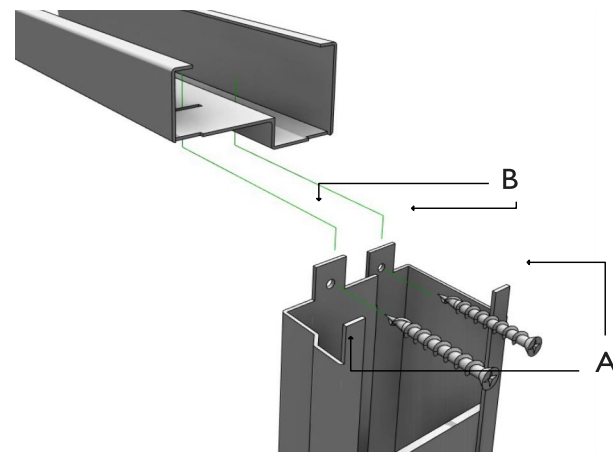
5: SEPARATE DOOR/FRAME

- Separate the door leaf from the frame.
- On double doors, unless specifically requested, the frame will be supplied ready for site assembly (see below).

6: DOUBLE DOORS

For ease and safety in transit, the double door frame will have been supplied in 4 sections. You should have:

- A. 2 x hinge jambs (1 LH and 1 RH).
- B. 1 x head section.
- C. 1 x threshold.



1. Fit the head section over the tabs marked "B" on the hinge jambs. Then fix in place using the self-tapping screws as shown.
2. Using a hammer and flat head screwdriver, bend over the tabs marked "A" in the direction shown to finish locking the head section into place.
3. Repeat for the opposite hinged post.
4. Standard thresholds should be fitted into the bottom of the hinge jambs at this point, with rivets supplied.

You are now ready to fit the frame into the opening.

7: MOUNT THE FRAME

Place the two frame extensions over the outside of the main frame as shown below.

These parts are handed, so please check that the fixing holes line up.

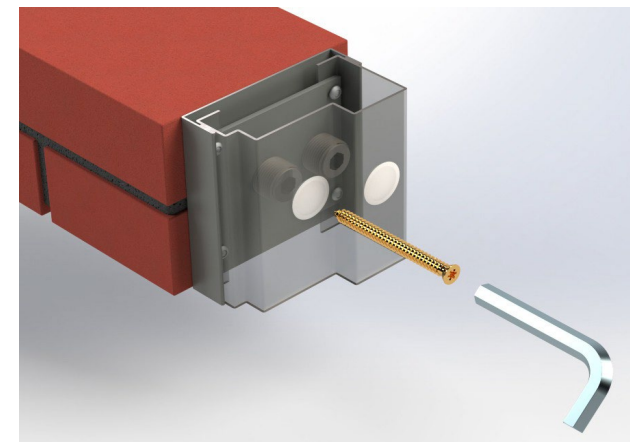


1. With both frame extensions on, lift the frame into the opening, placing the door centrally.
2. Using the 12mm Allen key, wind out the fixing feet at the top and bottom corners; you will see the frame extension being pushed out towards the opening.
3. The middle two fixing feet can now be wound out.

PLEASE NOTE: WINDING THE MIDDLE TWO FIXING FEET OUT TOO TIGHT CAN CAUSE THE DOOR TO RUB.

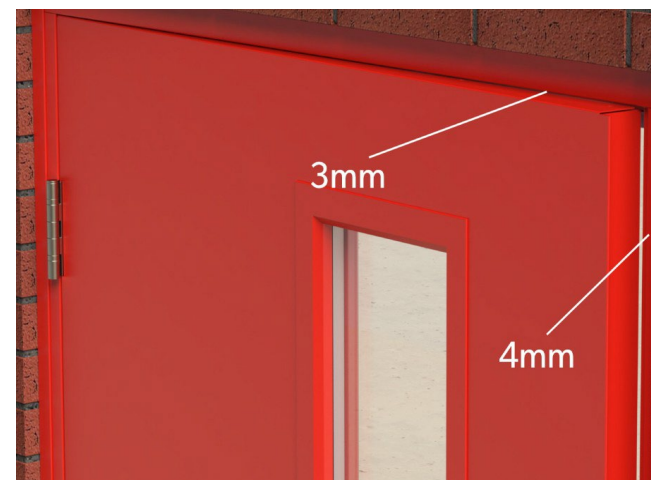
These fixing points can be adjusted once the door is hung.

8: FRAME FIXING



9: HANG THE DOOR LEAF

1. Hang the door leaf into the frame.
2. Check the function of the door, and the gaps between the door leaf and frame. These should be 4mm at the side, and 3mm at the top.



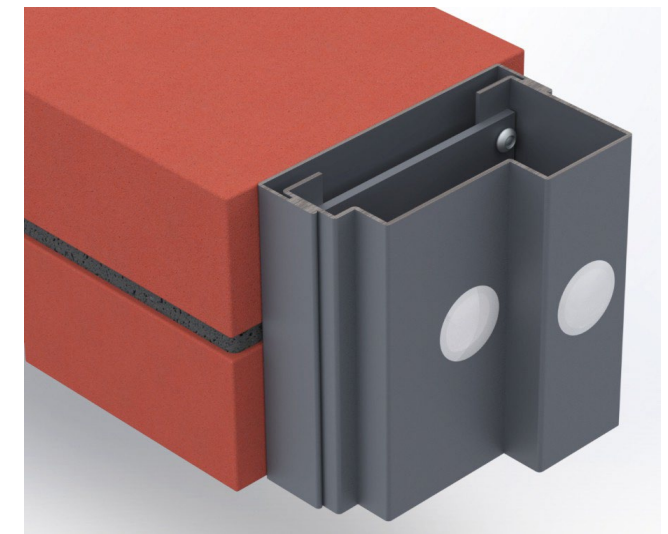
3. All screws must rest on the pins of the hinges.

10: CHECK DOOR GAPS

The gaps on a double door between the leaves at the centre point can be made wider or narrower by adjusting the frame. Please see diagrams and instructions overleaf for clarification.

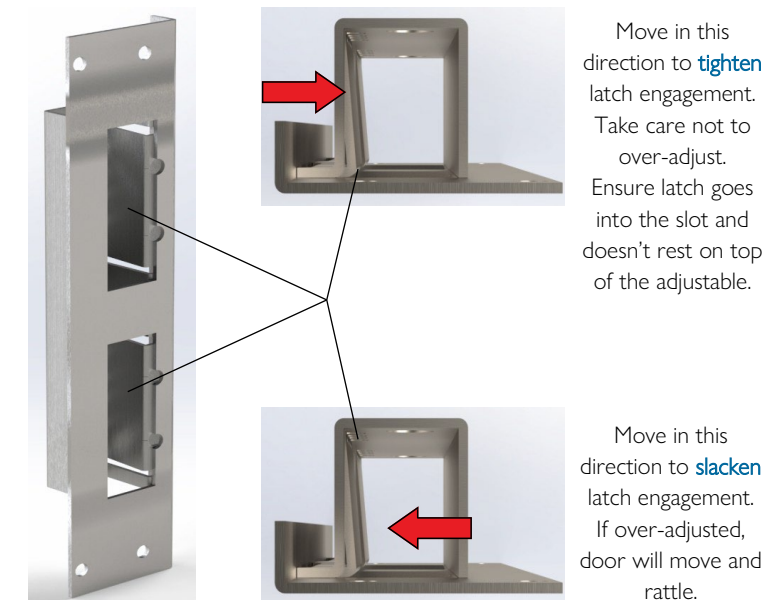
11: FIT CAPS

Fit the plastic cover caps to cover up the holes for the mounting bolts.



12: ADJUST KEEP

Adjust by bending forwards or backwards to allow door to latch/lock correctly.



INSTALLATION INSTRUCTIONS

FIRE RATED B, C, D & F FRAMES

DOOR GAPS

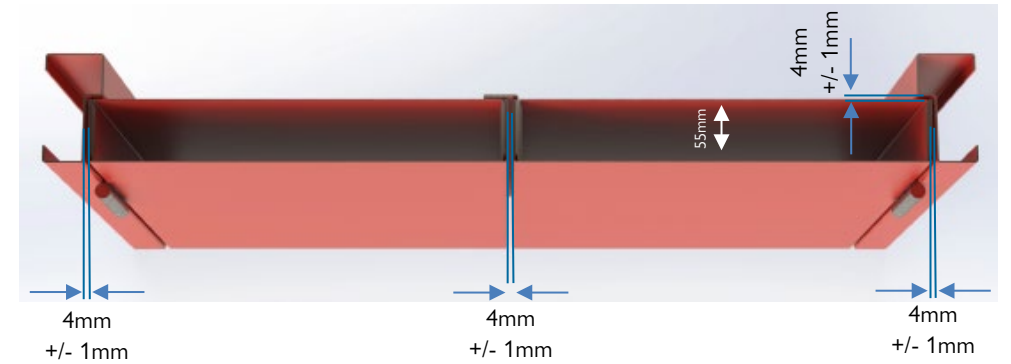
TOP & BOTTOM OF DOOR



SINGLE DOOR

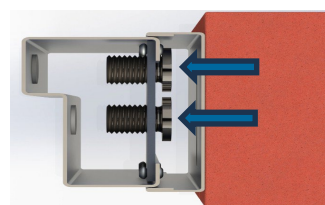
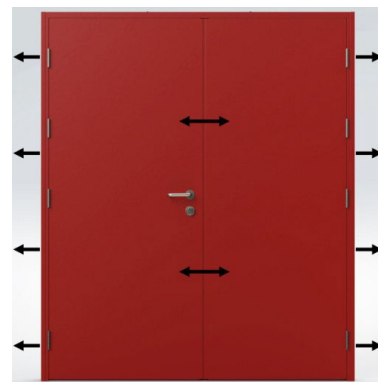


DOUBLE DOOR

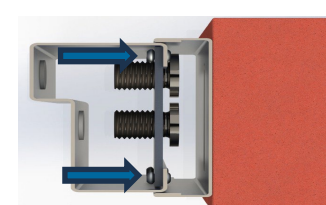


ADJUSTING DOUBLE DOOR GAPS

WIDER CENTRE GAP



The 4 screw jacks on each frame leg need winding back into the frame to open a gap up between the structure and the frame.

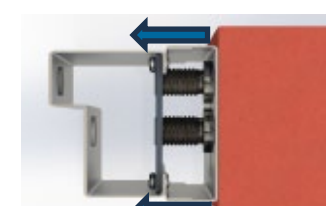


The frame fixing screws need to be driven into the structure, thus adjusting the frame outwards towards the structure.

NARROWER CENTRE GAP



4 screw jacks on each frame leg need winding out on to the structure.



Continuing to wind the screw jacks out will adjust the frame away from the structure and push the door blades together.

SEALANT INFORMATION

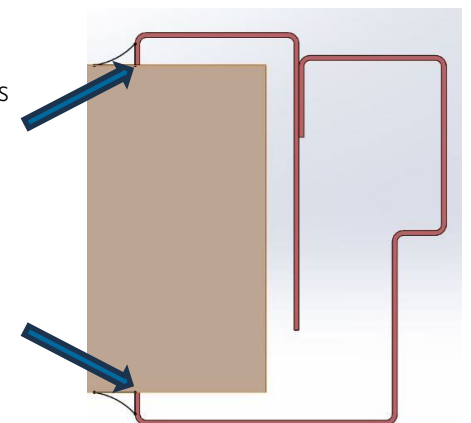
Please note: sealant is NOT required for fire stopping.

If sealant is preferred, below is a list of pre-approved products:

- Everbuild Firemate.
- Hilti CP606.
- Rockwool Firepro.
- Quelfire Intumescent Sealant.

SEALANT INSTALLATION

1. Ensure surfaces are clean and dry.
2. Sealant can **only** be used in the locations indicated here:
3. Maximum bead depth is 15mm x 15mm.
4. Sealant should only be applied in ambient temperatures of 5°C to 40°C.
5. Curing time will take between 15-60 minutes, depending on humidity.



Frame shown for door gap details is C type.