

# GLAS-DOR INSTALLATION INSTRUCTIONS

- Check contents of delivery against delivery notes.
- The doorset will be supplied unglazed on an A frame pallet, with the door and frame on one side, and the glazed sections separate.
- Carefully inspect the packaging to ensure there is no visible damage to the door or glass.
- Check the structural opening sizes are consistent with the door size, allowing a minimum of 15mm clearance for width on single doors, 20mm clearance width for double doors and 10mm clearance for height. Allow 15mm per side (width & height) for fire rated doors, giving a total of 30mm clearance on width and 15mm on height.
- Check frame and leaf dimensions match the door size on the delivery note.
- For single doors, separate the door and frame (double doors will be supplied with leaves and frame already separate). Doors are supplied with lift off hinges.



Stand frame in opening and adjust jacking feet out to bring the frame square into the opening.

Once frame is square, mark and drill fixings to secure frame into opening. Frame fixings are supplied per door.



Once frame is secure, hang door leaf and adjust hinges to allow ironmongery to operate correctly.

Hinges can be adjusted vertically up to 5mm each by means of screw adjuster in top of hinge and horizontally by means of supplied hinge packer/shims.



For doors without prefitted glazing seal, fit self adhesive seal to perimeter of each glazed aperture.

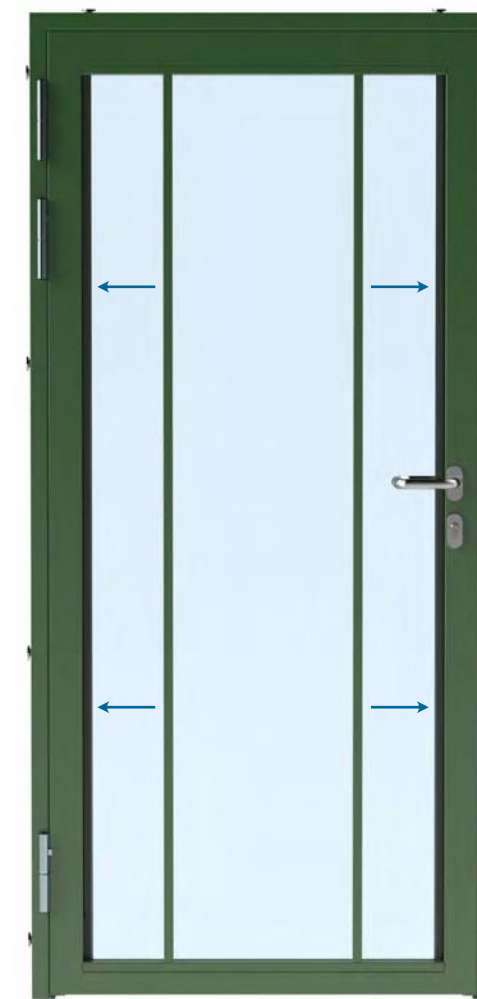
Each glazed section is supplied with 3mm glazing spacers to suit a glazed section 7mm smaller than aperture. Position glazing packer to bottom of aperture and lift glazed section in place. Centre glazed section by fitting spacers around aperture.



Fit beading screws into predrilled holes to perimeter of aperture (this must be done after glass is in position to avoid damaging glazed units).

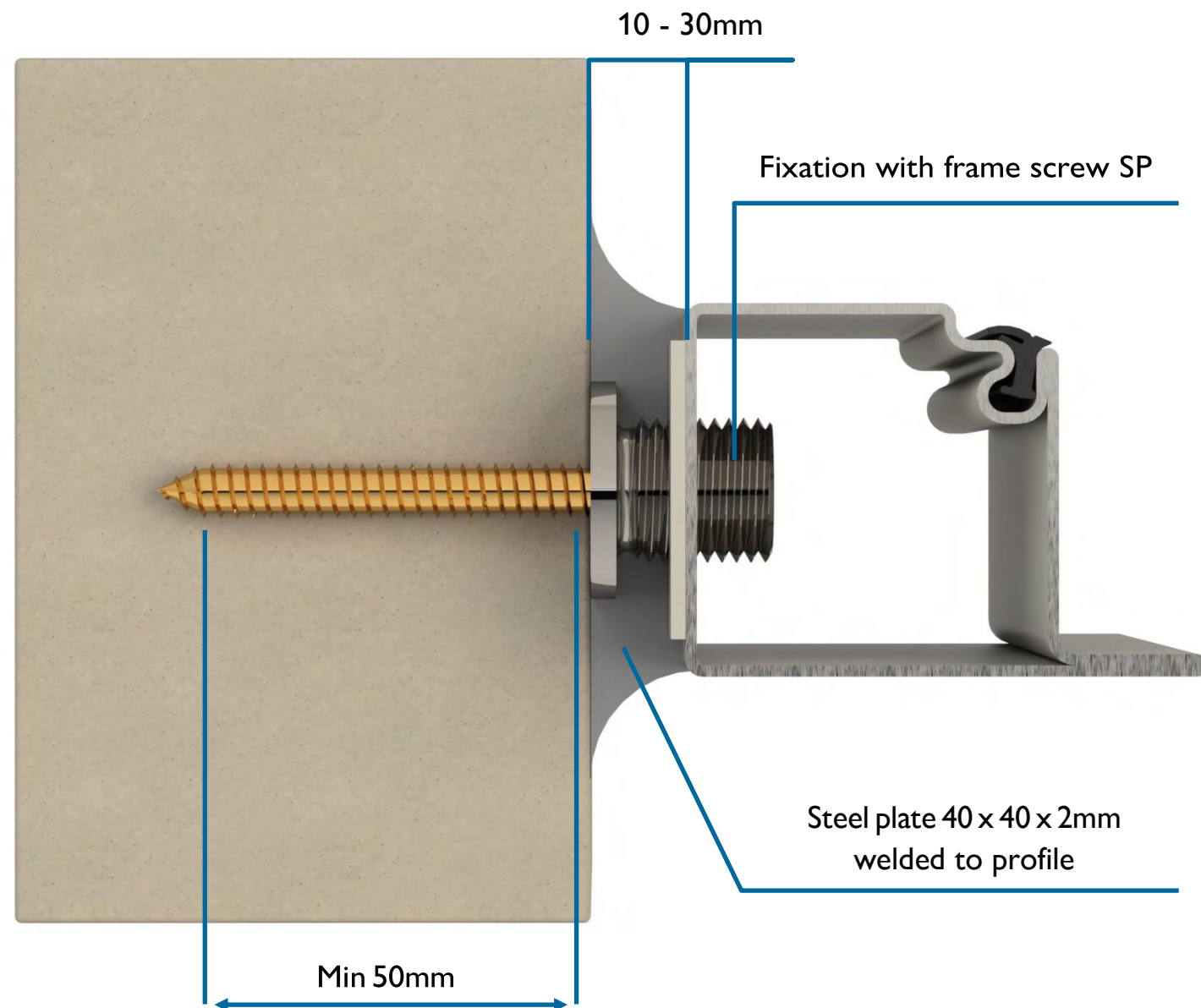
Secure with supplied beading which is clipped into place - for security doors, the beading is also additionally secured with screws.

Once all glazing is fitted, operation of the ironmongery will need to be rechecked and hinges may need to be adjusted vertically or horizontally to ensure smooth operation.

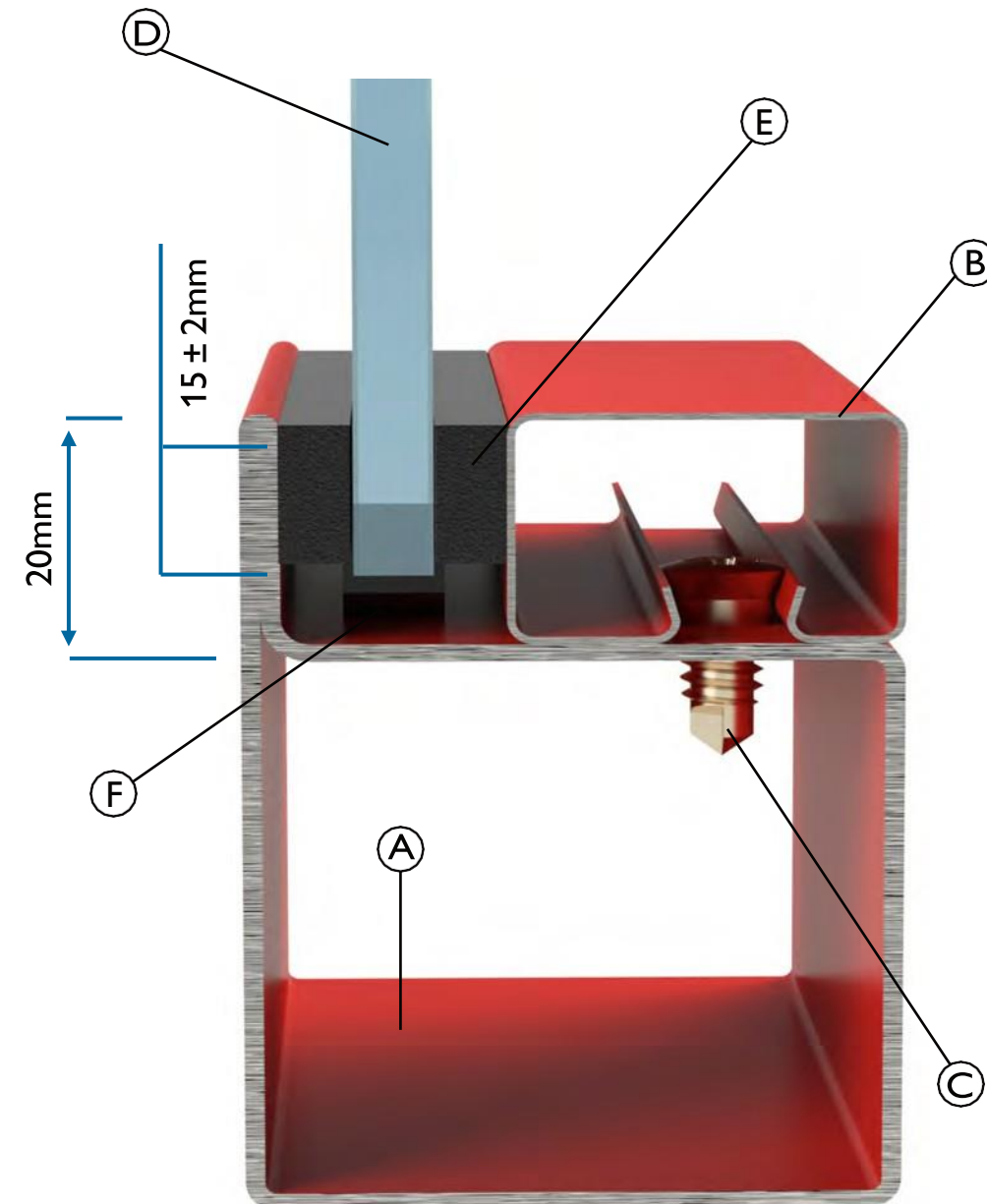


## FIXING DETAIL

Fixation to rigid and flexible walls



## BEADING/SPACER DETAIL



A	Stålprofil system SP 35000 / SP 95000
B	Glazing beads SP 40000 / SP 95000
C	Fixing screw glazing beads C/C max 250 mm
D	Fire protection glass Pyran S 6 mm
E	Glazing tape, type Kuhn Kerafix 2000 or equal ceramic tape thickness 3 - 6mm
F	Setting block SP 7800606 Placed 70 - 100 mm from each corner length 80 mm, width = glass thickness, height app 6 mm

- Glazing tape is pre-fitted to the doors, screens and beading.
- Place 2 glass spacer blocks\* on the lowest horizontal member.
- Fit the glass into position, resting on the previously fitted spacer blocks\*.
- Use two further spacer blocks\* (in opposite corners) to centralise the glass.
- Fit the provided beading screws into all of the pre-drilled holes. Use a piece of card between the drill and glass to prevent marking.
- Hammer the two horizontal pieces of beading onto the beading screws, followed by the two vertical pieces.

Some minor adjustment to the beading length may be necessary as it is supplied to be a tight fit. Touch up paint will also be provided.

\* Please note, only spacer blocks supplied by Robust UK are to be used. Blocks must be Promatech - no other materials to be substituted.

