

1: CHECK DELIVERY

Check contents of the shipment

- 1) Door leaf & frame + 2 mounting extensions
- 2) Installation kit, 1 no. per door set
- 3) For frame type A, there will also be the wall cover profile (sides and 1 top piece)

2: CHECK FIXINGS

Contents of kitbag

- 1) 16 no. 7.5 x 82mm Torx Head screws (suitable for masonry, steel or timber structures, see fixing pack for drilling sizes).
- 2) 20 no. Plastic caps, clear 20mm diameter (for screw holes in frame) 1
- 3) 6 no red plastic plug & 6 no 8x2 CSK Self Tapping Screw.
- 4) 6 No M6x12 CSK Hinge Screw
- 5) 1 no. Installation instructions sheet
- 6) Drill bits 7) Allen keys 8) 1 no. Torx Head driver bit

3: CHECK TOOLS

Tools necessary for installation

- Spirit level
- Screw bit driver (for Torx Head bit)
- 110v Drill
- 12mm Allen key
- Sealant and application gun to bed threshold

4: CHECK OPENING

Check the structural opening size. If the door is a modular size of eg. 900mm x 2100mm, the structural opening width should be 900mm (tolerance of +15/-5mm), and the structural opening height should be 2100mm (tolerance +/-5mm). If the structural opening size is larger than the indicated maximum width or height, the wall must be built up with the same material as the existing wall to preserve its fire rating (where applicable).

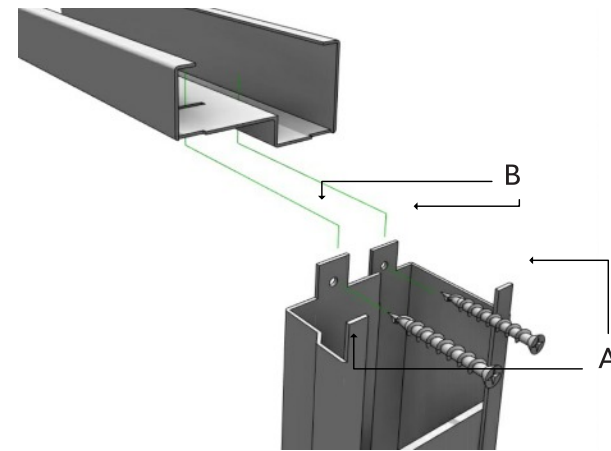
5: SEPARATE DOOR/FRAME

Separate the door leaf from the frame. On double doors, unless specifically requested, the frame will

6: DOUBLE DOORS

For ease and safety in transit, the double door frame will have been supplied in 4 sections. You should have:

- A) 2 x Hinge Jambs (1 LH and 1 RH)
- B) 1 x Head section
- C) 1 x Threshold



- 1) Fit the head section over the tabs marked "B" on the hinge jambs. Then fix in place using the self-tapping screws as shown.
- 2) Using a hammer and flat head screw driver, bend over the tabs marked "A" in the direction shown to finish locking the head section into place.
- 3) Repeat for the opposite hinged post.
- 4) Standard thresholds should be fitted into the bottom of the hinge jambs at this point with rivets supplied.

You are now ready to fit the frame into the opening.

7: MOUNT THE FRAME

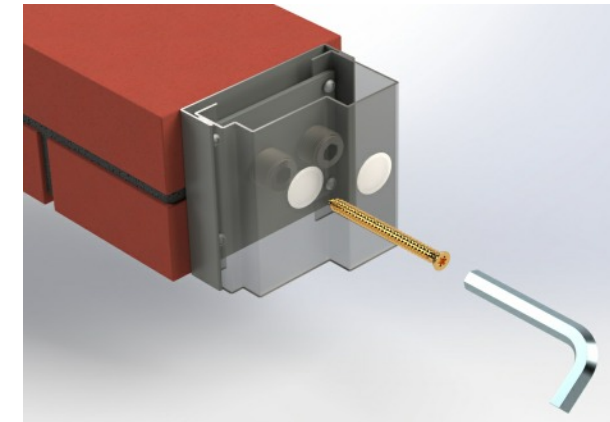
Place the two frame extensions over the outside of the main frame (as shown below). These part are handed so please check that the fixing holes line up.



With both frame extensions on, lift the frame into the opening, placing the door centrally. Using the 12mm Allen key, wind out the fixing feet at the top and bottom corners, you will see the frame extension being pushed out towards the opening. Stop once the frame is tight in the opening. The middle two fixing feet can now be wound out.

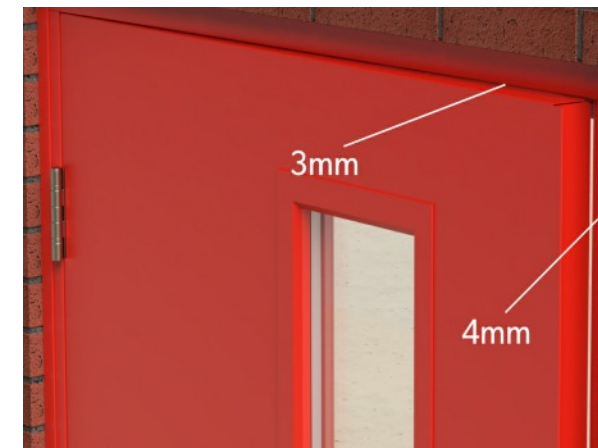
PLEASE NOTE WINDING THE MIDDLE TWO FIXING FEET OUT TOO TIGHT CAN CAUSE THE DOOR TO RUB. These fixing points can be adjusted once the door is hung.

8: FRAME FIXING



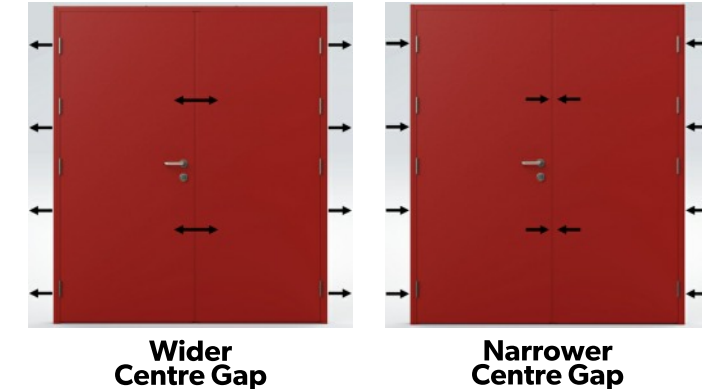
9: HANG DOOR LEAF

Hang the door leaf into the frame. Check the function of the door and the gaps between the door leaf and frame. These should 4mm at the side and 3mm at the top. All screws must rest on the pins of the hinges.



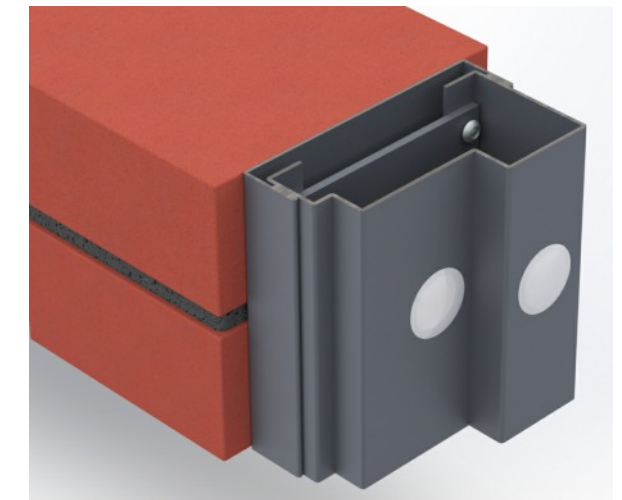
10: CHECK DOOR GAPS

The gaps on a double door between the leaves at the centre point can be made wider or narrower by adjusting the frame. Please see diagrams and instructions overleaf for clarification.



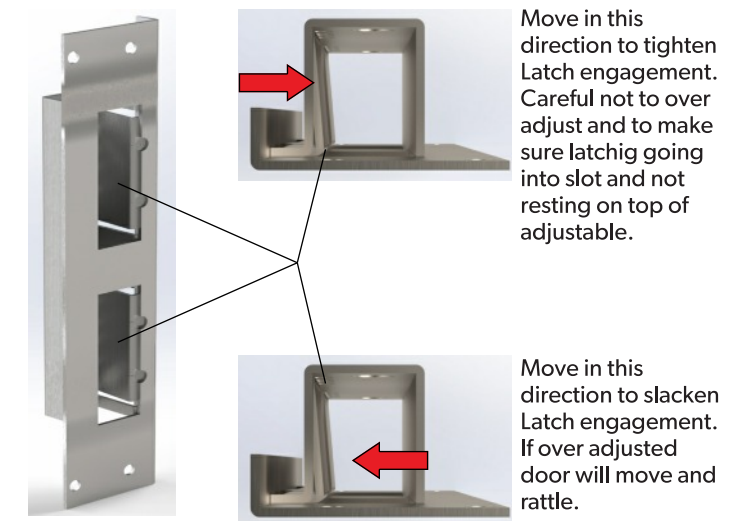
11: FIT CAPS

Fit the plastic cover caps to cover up the holes for the mounting bolts.



12: ADJUST KEEP

Adjust by bending forwards or backwards to allow door to latch/lock correctly.



DOOR GAPS



Wider Centre Gap



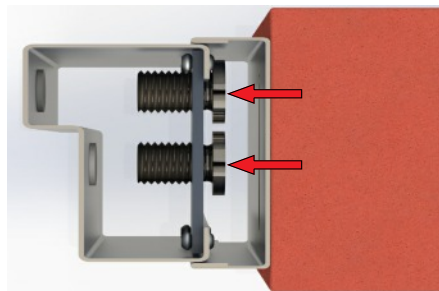
Narrower Centre Gap

The gaps on a double door between the leaves at the center point can be made wider or narrower by adjusting the frame.

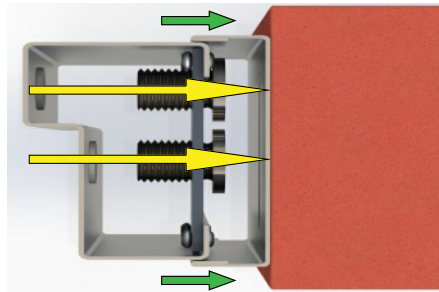
1: WIDER CENTRE GAP



Wider Centre Gap



The 4 Screw Jacks on each frame leg need winding back into the frame to open a gap up between the structure and the frame.

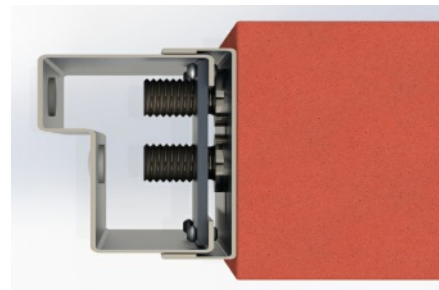


The frame fixings screws need to be driven into the structure, thus adjusting the frame outwards towards the structure.

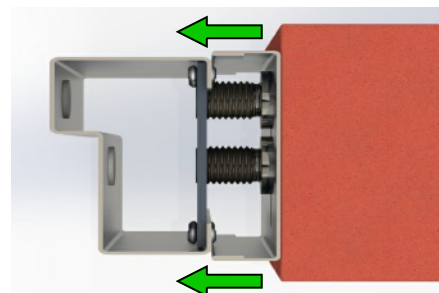
2: NARROWER CENTRE GAP



Narrower Centre Gap

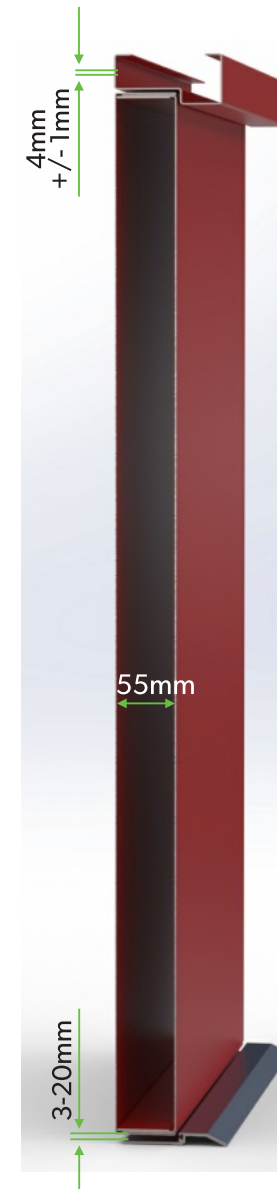


4 Screw Jacks on each frame leg need winding out on to the structure.

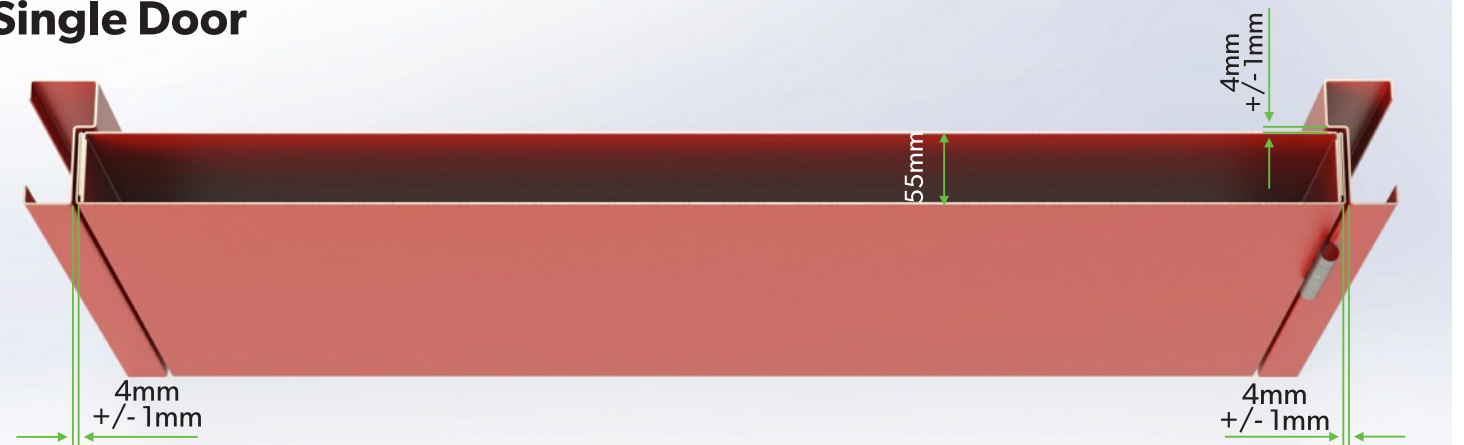


Continuing to wind the Screw Jacks out will adjust the frame away from the structure and push the door blades together.

Top & Bottom of door



Single Door



Double Door

